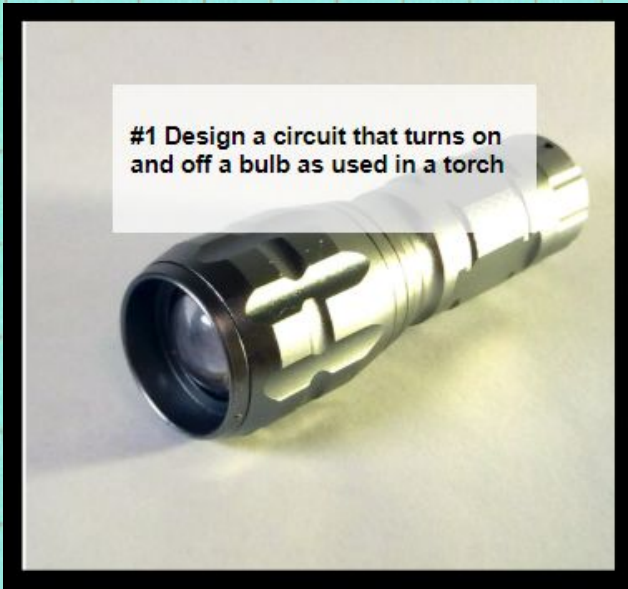
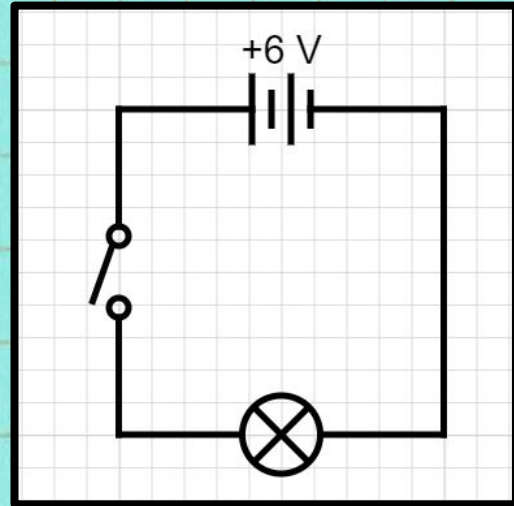


Challenge #1



Suggested circuit

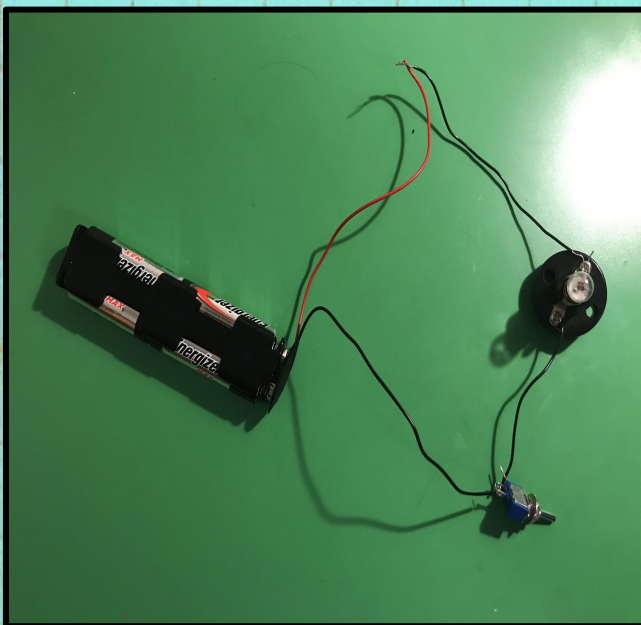
Battery, switch and bulb



How circuit works

Closing the switch allows current to flow around the circuit lighting the bulb.

Circuit setup using components



Link to video of circuit in action

<https://youtu.be/f139wZft1xg>

