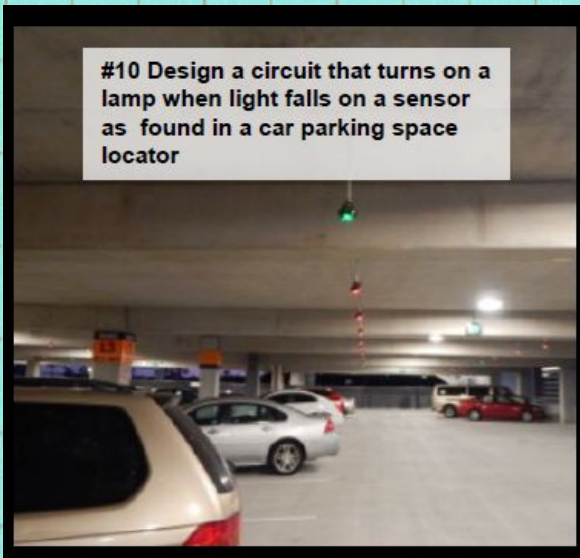
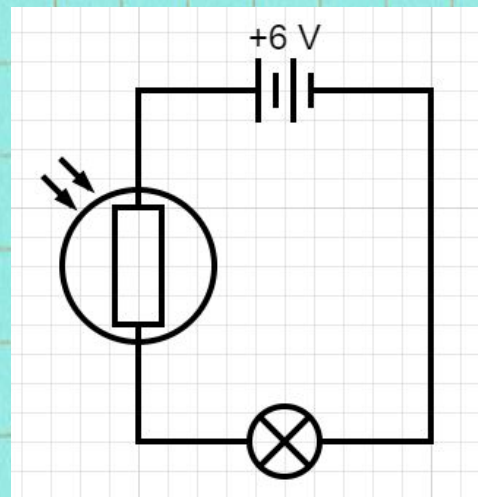


Challenge #10



Suggested circuit

Battery, LDR and bulb



How circuit works

In bright light the LDR has low resistance and allows current to flow through the bulb. In darkness the LDR has a high resistance and the flow of current through the bulb is reduced.

Circuit setup using components

Link to video of circuit in action

<https://youtu.be/l3NZnNVLDIU>

