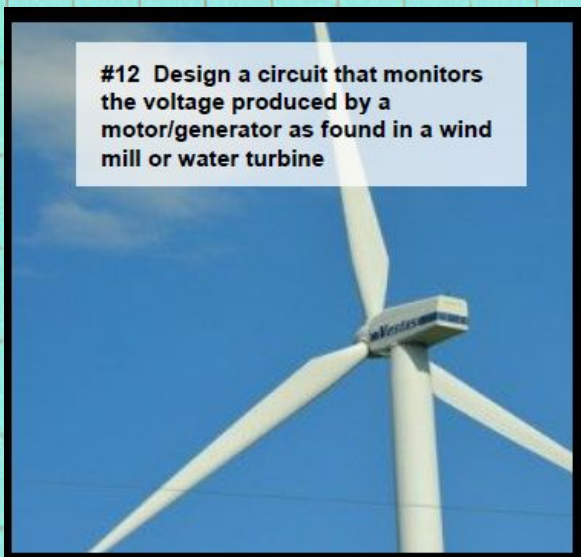
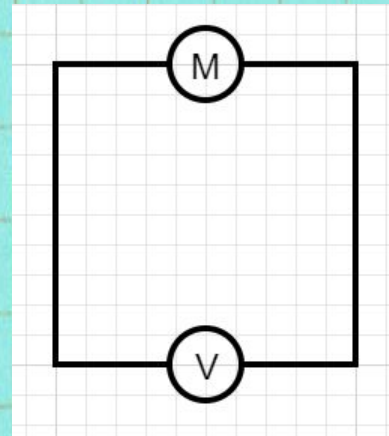


## Challenge #12



### Suggested circuit Motor and voltmeter



### How circuit works

Motors can act as generators. When the motor is turned a voltage or potential difference is produced which can be measured with a voltmeter. The faster the motor is turned the higher the voltage produced.

### Circuit setup using components



### Link to video of circuit in action

<https://youtu.be/hUNXavame88>

