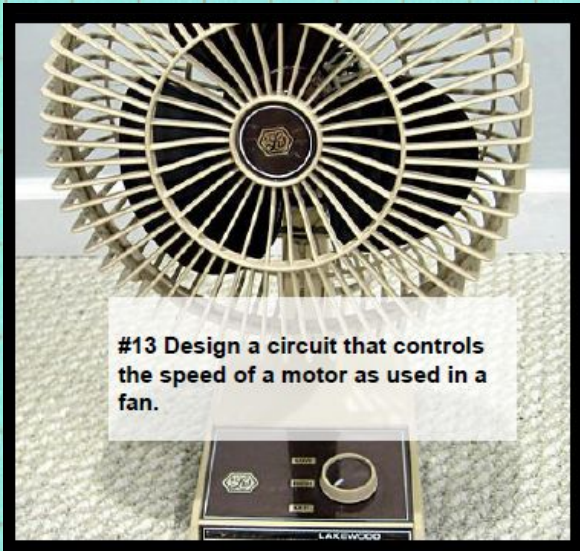
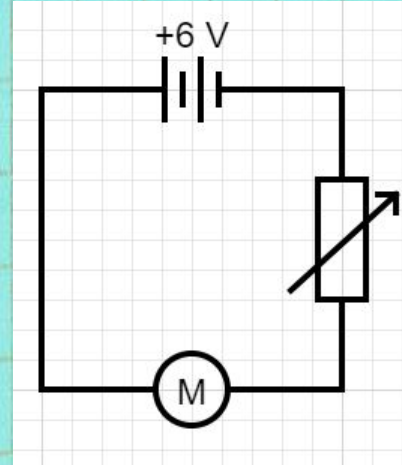


## Challenge #13



### Suggested circuit

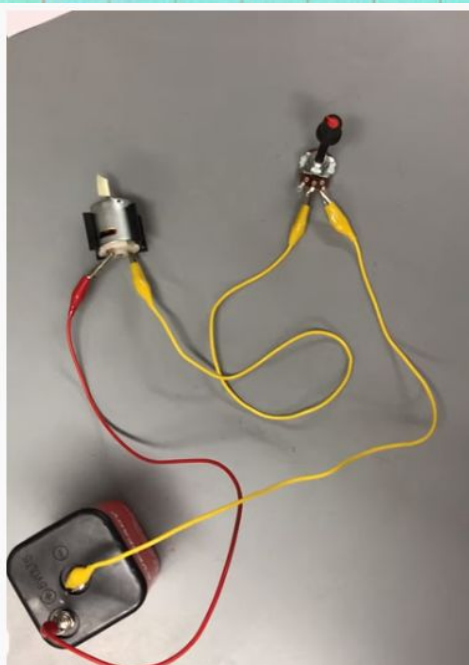
Battery, variable resistor and motor



### How circuit works

As the resistance of the variable resistor is decreased, the current through the motor increases and it turns faster.

### Circuit setup using components



### Link to video of circuit in action

<https://youtu.be/cgZfzWLBzr8>

