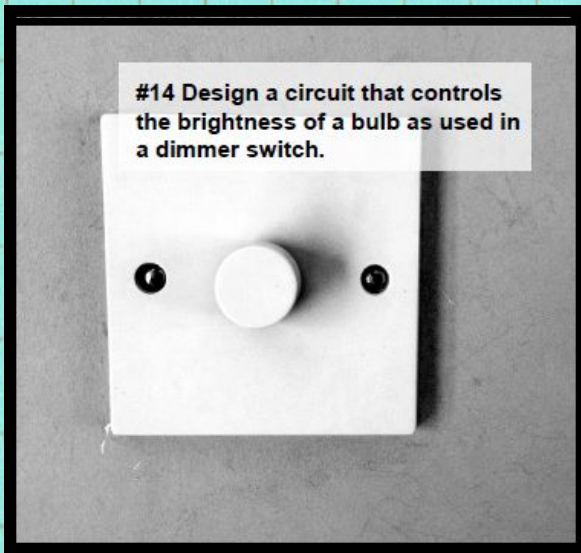
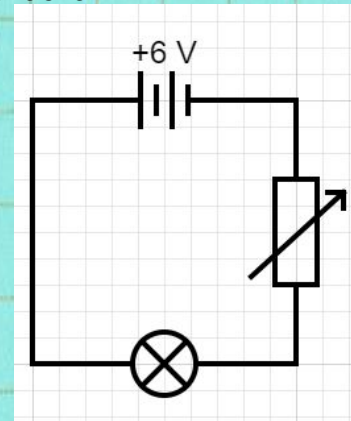


Challenge #14



Suggested circuit

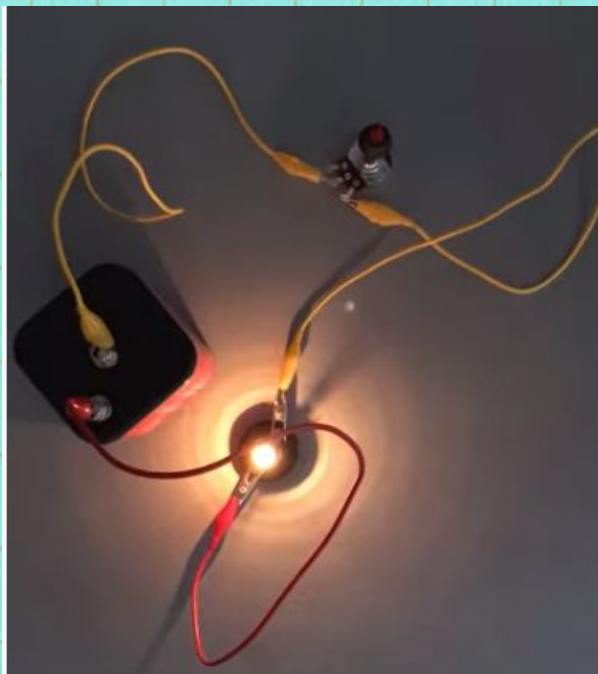
Battery, variable resistor and bulb



How circuit works

As the resistance of the variable resistor is decreased, the current through the lamp increases and it becomes brighter.

Circuit setup using components



Link to video of circuit in action

<https://youtu.be/Fvpzsn0ypqE>

