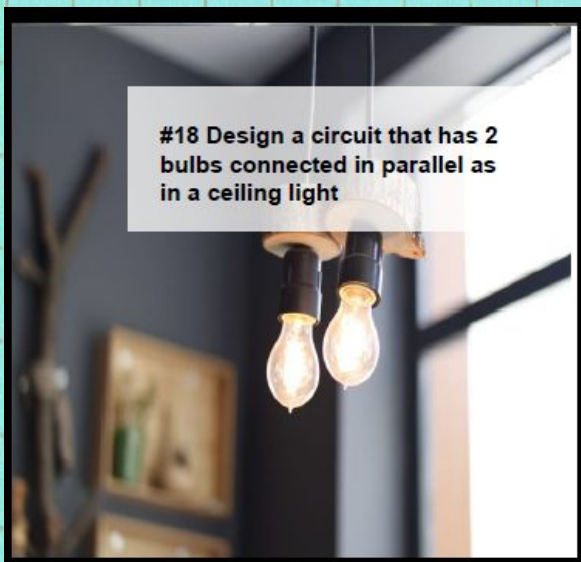
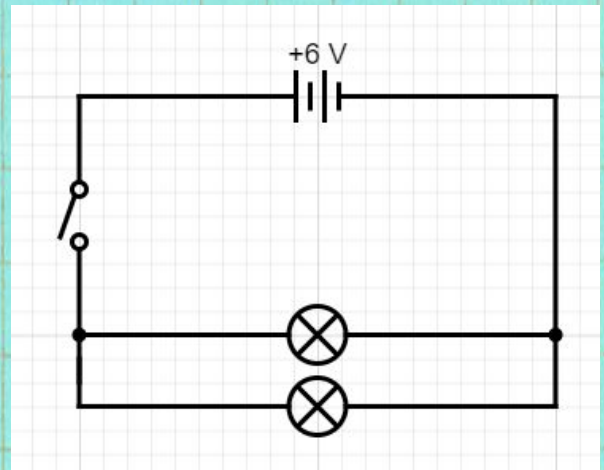


Challenge #18



Suggested circuit
Battery, switch and 2 bulbs



How circuit works

Closing the switch allows current to flow through both bulbs connected in parallel. Bulbs in parallel are brighter than bulbs in series .

Circuit setup using components

Link to video of circuit in action

<https://youtu.be/KJIVL5CrcEg>

