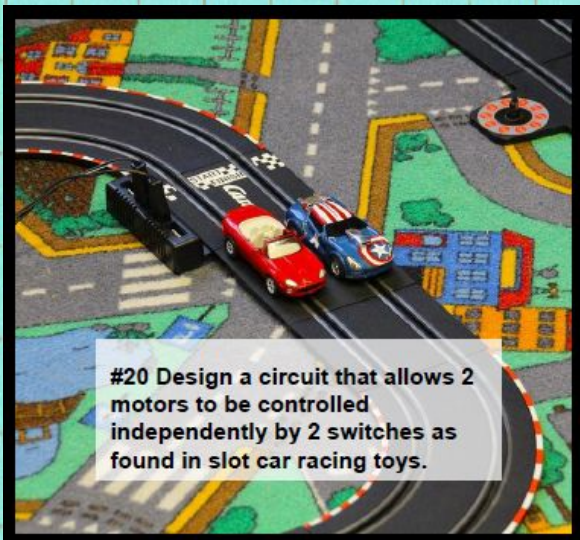
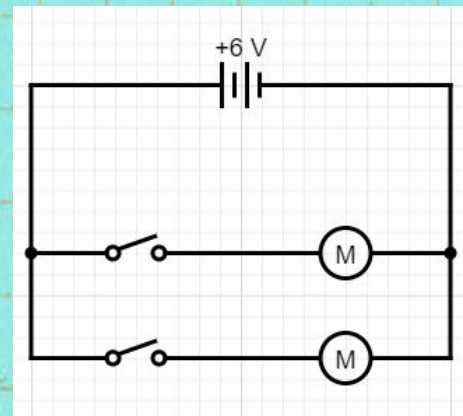


Challenge #20



Suggested circuit

Battery, 2 switches and 2 motors



How circuit works

Each motor has a switch in series. Both motor+switch systems are connected in parallel.

Circuit setup using components

Link to video of circuit in action

<https://youtu.be/lvizmDUy-i4>

