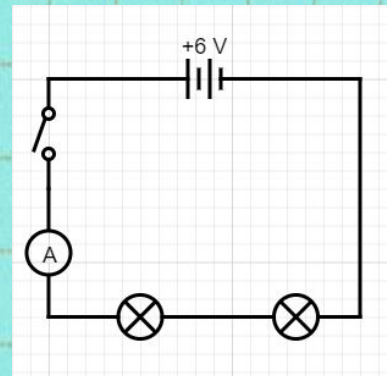


Challenge #23



Suggested circuit

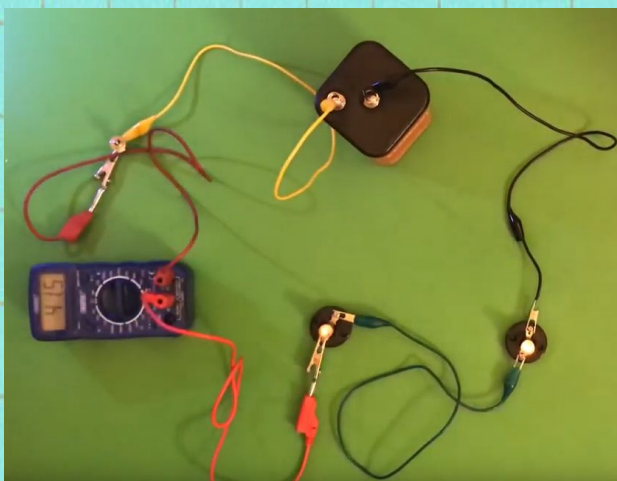
Battery, switch, ammeter and 2 bulbs.



How circuit works

Both bulbs are connected in series to an ammeter which monitors the current flowing in a circuit. Ammeters are always connected in series in a circuit.

Circuit setup using components



Link to video of circuit in action

https://youtu.be/rPZwl_IA8k0

