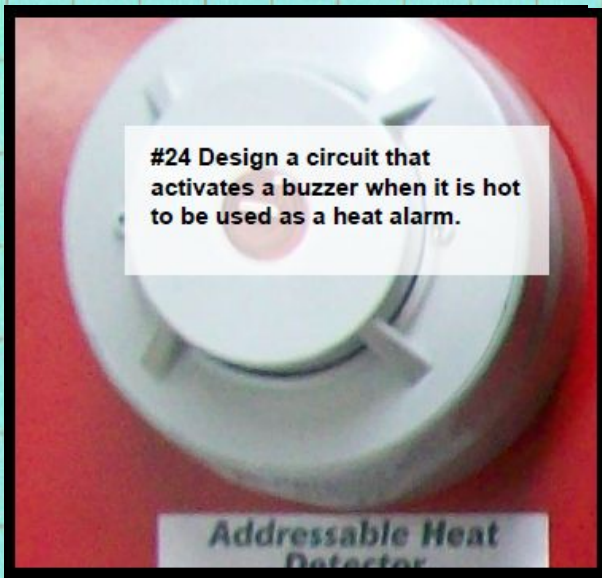
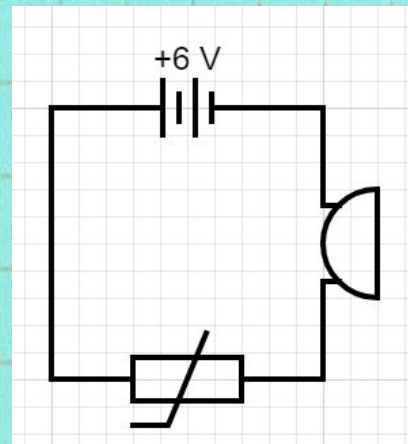


Challenge #24



Suggested circuit

Battery, thermistor and buzzer



How circuit works

As the temperature increases the resistance of the thermistor decreases. At high temperature the resistance is low enough to allow a large current to flow and activate the buzzer

Circuit setup using components

Link to video of circuit in action

<https://youtu.be/OK542vygi5k>

