

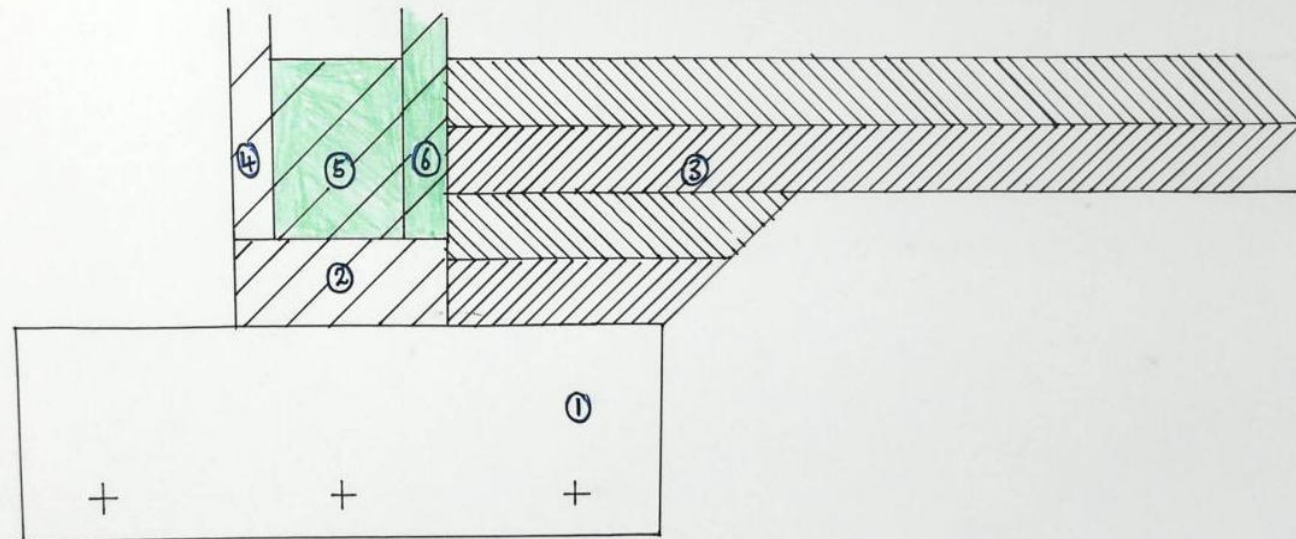
Construction Detail Drawing

Passive Concrete Cavity Wall with an Insulated Suspended Timber Floor

Key skills needed for Mandatory Exam Paper Question 1!!!

First steps: Adding Strip, Wall and Hardcore

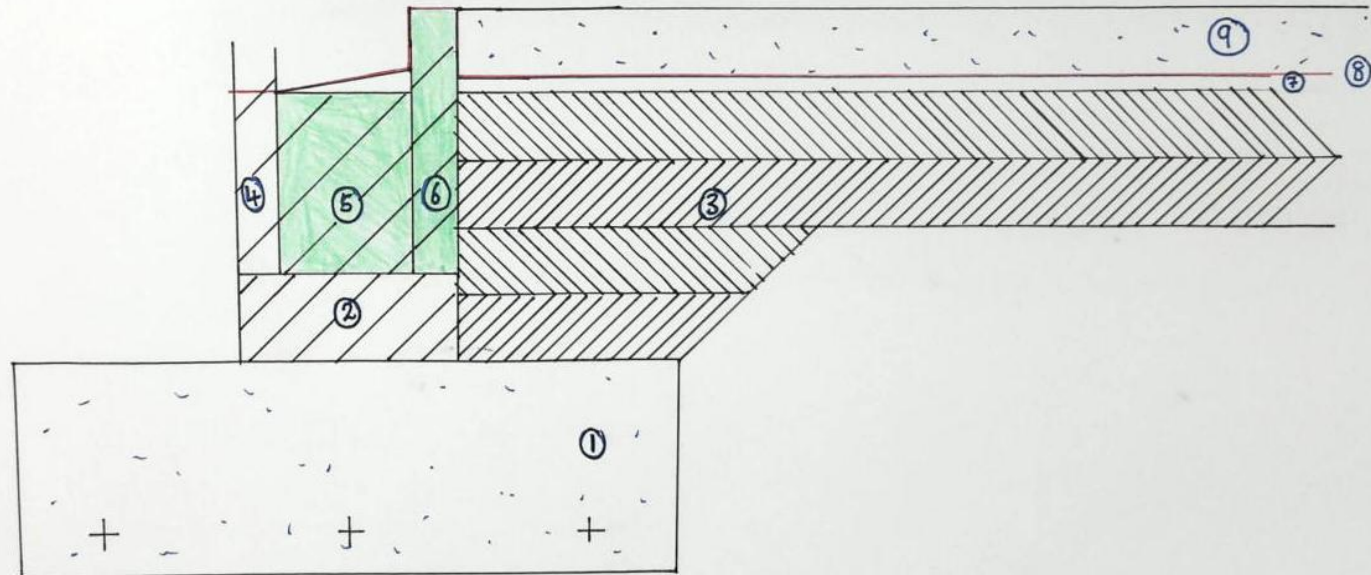
- ① REINFORCED CONCRETE STRIP
FOUNDATION 1500 X 500
- ② CONCRETE BLOCK FOOTINGS
500 X 200mm
- ③ HARDCORE COMPACTED IN LAYERS
OF 150mm
- ④ 100 X 225 X 450mm CONCRETE BLOCK
- ⑤ THERMAL BLOCK CAVITY INFILL
- ⑥ THERMAL BLOCK RISING



TOMAS CALLANAN
PASSIVE SUSPENDED TIMBER FLOOR
DATE:

Adding Radon and Subfloor

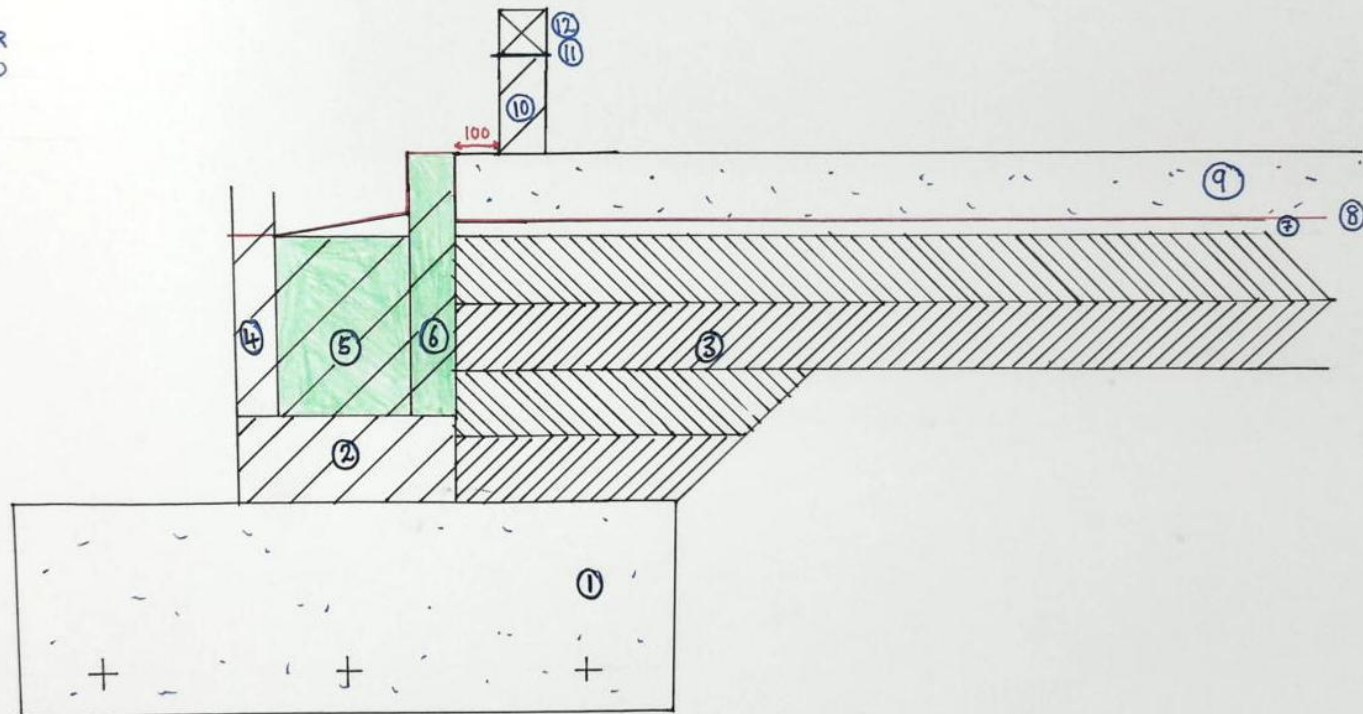
- ① REINFORCED CONCRETE STRIP
FOUNDATION 1500 X 500
- ② CONCRETE BLOCK FOOTINGS
500 X 200mm
- ③ HARDCORE COMPACTED IN LAYERS
OF 150mm
- ④ 100 X 225 X 450mm CONCRETE BLOCK
- ⑤ THERMAL BLOCK CAVITY INFILL
- ⑥ THERMAL BLOCK RISING
- ⑦ 30mm SAND
- ⑧ RADON BARRIER
- ⑨ 150mm CONCRETE SUBFLOOR



TOMAS CALLANAN
PASSIVE SUSPENDED TIMBER FLOOR
DATE:

Adding Tassel Wall and Wall Plate

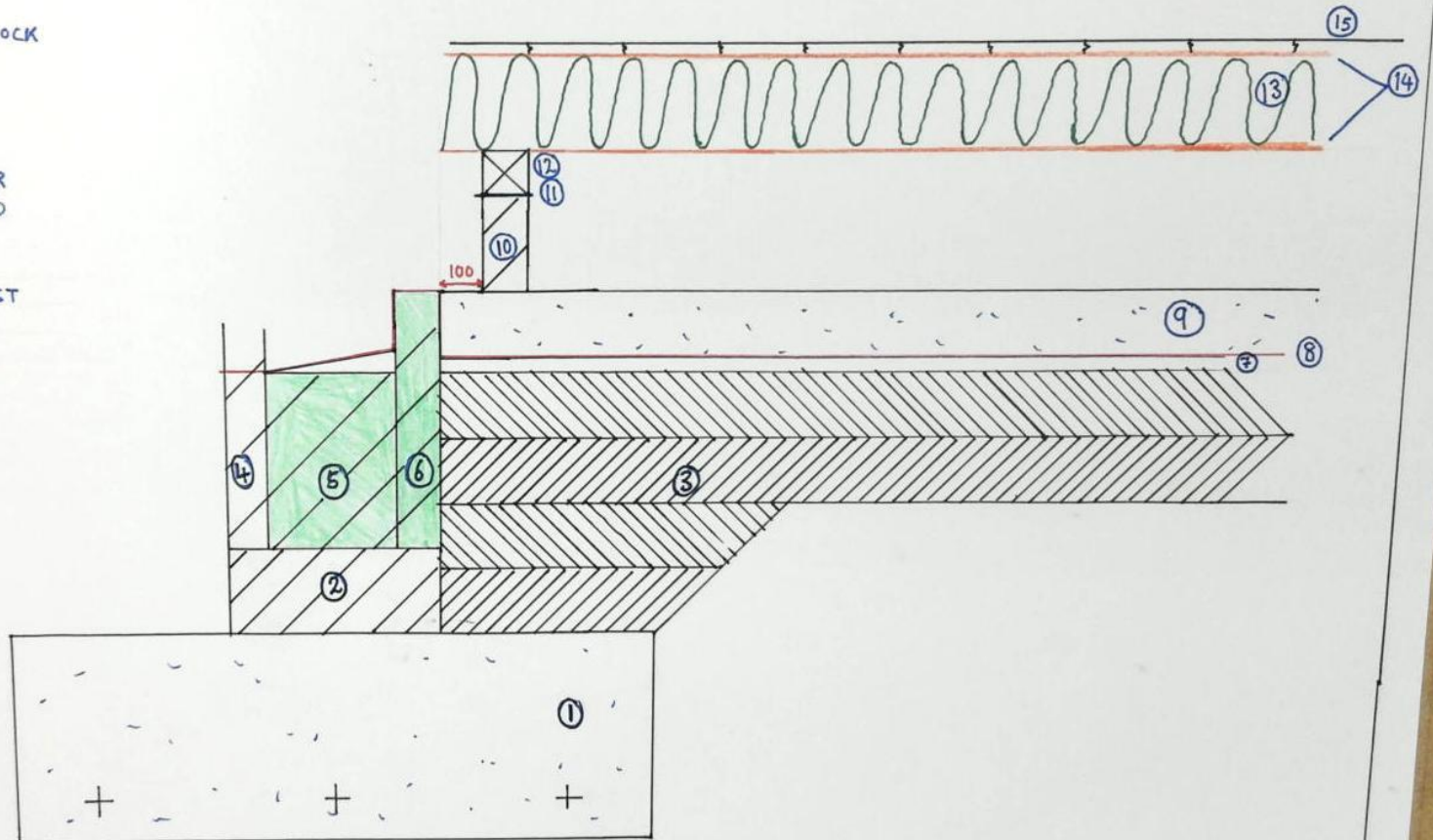
- ① REINFORCED CONCRETE STRIP
FOUNDATION 1500 X 500
- ② CONCRETE BLOCK FOOTINGS
500 X 200mm
- ③ HARDCORE COMPACTED IN LAYERS
OF 150mm
- ④ 100 X 225 X 450mm CONCRETE BLOCK
- ⑤ THERMAL BLOCK CAVITY INFILL
- ⑥ THERMAL BLOCK RISING
- ⑦ 30mm SAND
- ⑧ RADON BARRIER
- ⑨ 150mm CONCRETE SUBFLOOR
- ⑩ TASSEL/DWARF WALL 215 X 100
- ⑪ D.P.C
- ⑫ WALL PLATE 100 X 100mm



TOMAS CALLANAN
PASSIVE SUSPENDED TIMBER FLOOR
DATE:

Adding Suspended Timber Floor

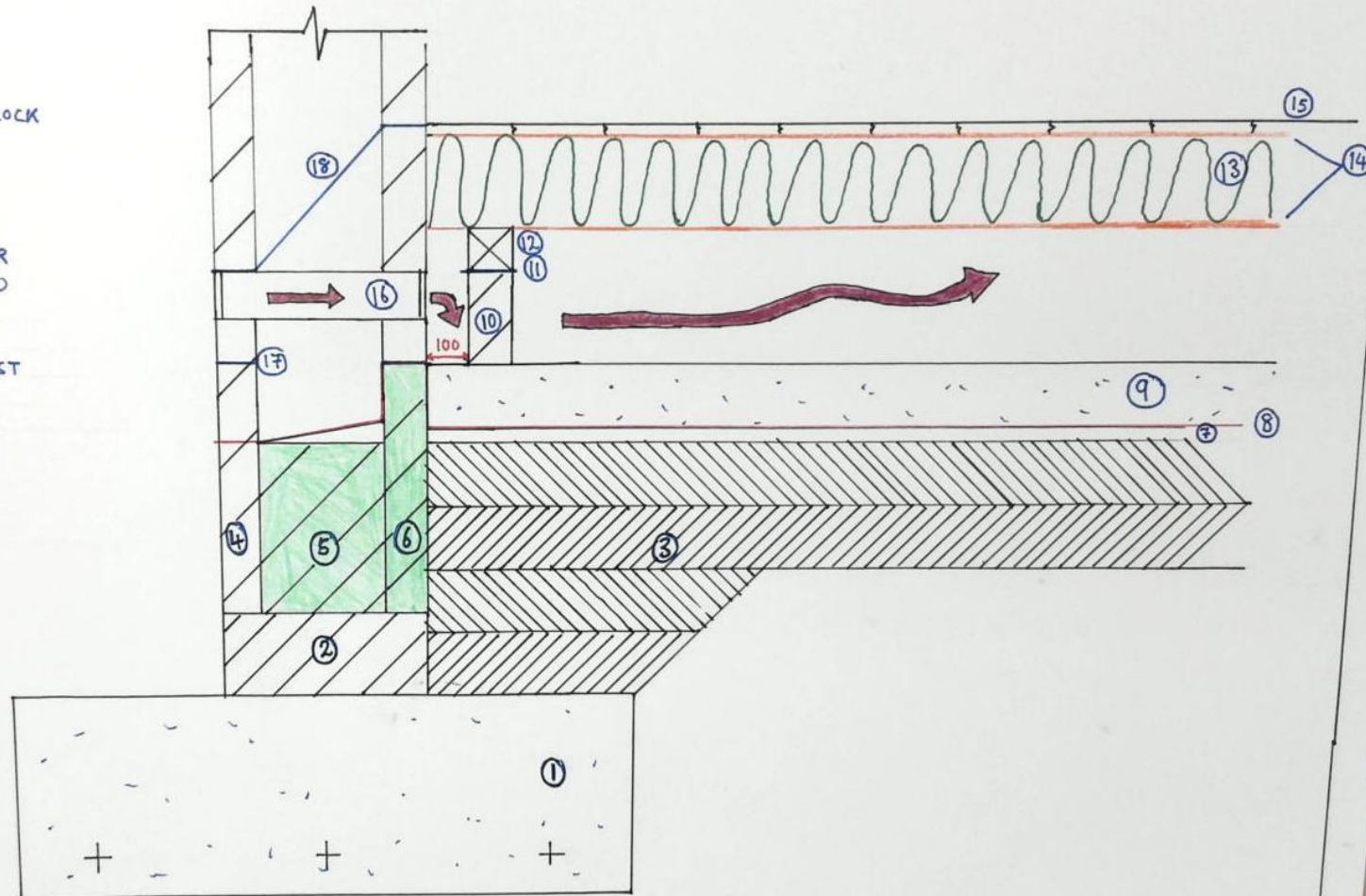
- ① REINFORCED CONCRETE STRIP FOUNDATION 1500 X 500
- ② CONCRETE BLOCK FOOTINGS 500 X 200mm
- ③ HARDCORE COMPACTED IN LAYERS OF 150mm
- ④ 100 x 225 x 450mm CONCRETE BLOCK
- ⑤ THERMAL BLOCK CAVITY INFILL
- ⑥ THERMAL BLOCK RISING
- ⑦ 30mm SAND
- ⑧ RADON BARRIER
- ⑨ 150mm CONCRETE SUBFLOOR
- ⑩ TASSEL/DWARF WALL 215 X 100
- ⑪ D.P.C
- ⑫ WALL PLATE 100 X 100mm
- ⑬ 200mm INSULATED TIMBER JOIST @ 400mm CENTRES
- ⑭ AIRTIGHTNESS MEMBRANE
- ⑮ 25mm T & G FLOORBOARDS



TOMAS CALLANAN
PASSIVE SUSPENDED TIMBER FLOOR
DATE:

Adding Vent Pipe and Wall Detail

- ① REINFORCED CONCRETE STRIP FOUNDATION 1500 X 500
- ② CONCRETE BLOCK FOOTINGS 500 X 200mm
- ③ HARDCORE COMPACTED IN LAYERS OF 150mm
- ④ 100 X 225 X 450mm CONCRETE BLOCK
- ⑤ THERMAL BLOCK CAVITY INFILL
- ⑥ THERMAL BLOCK RISING
- ⑦ 30mm SAND
- ⑧ RADON BARRIER
- ⑨ 150mm CONCRETE SUBFLOOR
- ⑩ TASSEL/DWARF WALL 215 X 100
- ⑪ D.P.C
- ⑫ WALL PLATE 100 X 100mm
- ⑬ 200mm INSULATED TIMBER JOIST @ 400mm CENTRES
- ⑭ AIRTIGHTNESS MEMBRANE
- ⑮ 25mm T & G FLOORBOARDS
- ⑯ Ø 100 VENT PIPE
- ⑰ D.P.C
- ⑱ STEPPED D.P.C



TOMAS CALLANAN
 PASSIVE SUSPENDED TIMBER FLOOR
 DATE:

Final Details

① REINFORCED CONCRETE STRIP
FOUNDATION 1500 X 500

② CONCRETE BLOCK FOOTINGS
500 X 200mm

③ HARDCORE COMPACTED IN LAYERS
OF 150mm

④ 100 X 225 X 450mm CONCRETE BLOCK

⑤ THERMAL BLOCK CAVITY INFILL

⑥ THERMAL BLOCK RISING

⑦ 30mm SAND

⑧ RADON BARRIER

⑨ 150mm CONCRETE SUBFLOOR

⑩ TASSEL/DWARF WALL 215 X 100

⑪ D.P.C

⑫ WALL PLATE 100 X 100mm

⑬ 200mm INSULATED TIMBER JOIST
@ 400mm CENTRES

⑭ AIRTIGHTNESS MEMBRANE

⑮ 25mm T & G FLOORBOARDS

⑯ Ø 100 VENT PIPE

⑰ D.P.C

⑱ STEPPED D.P.C

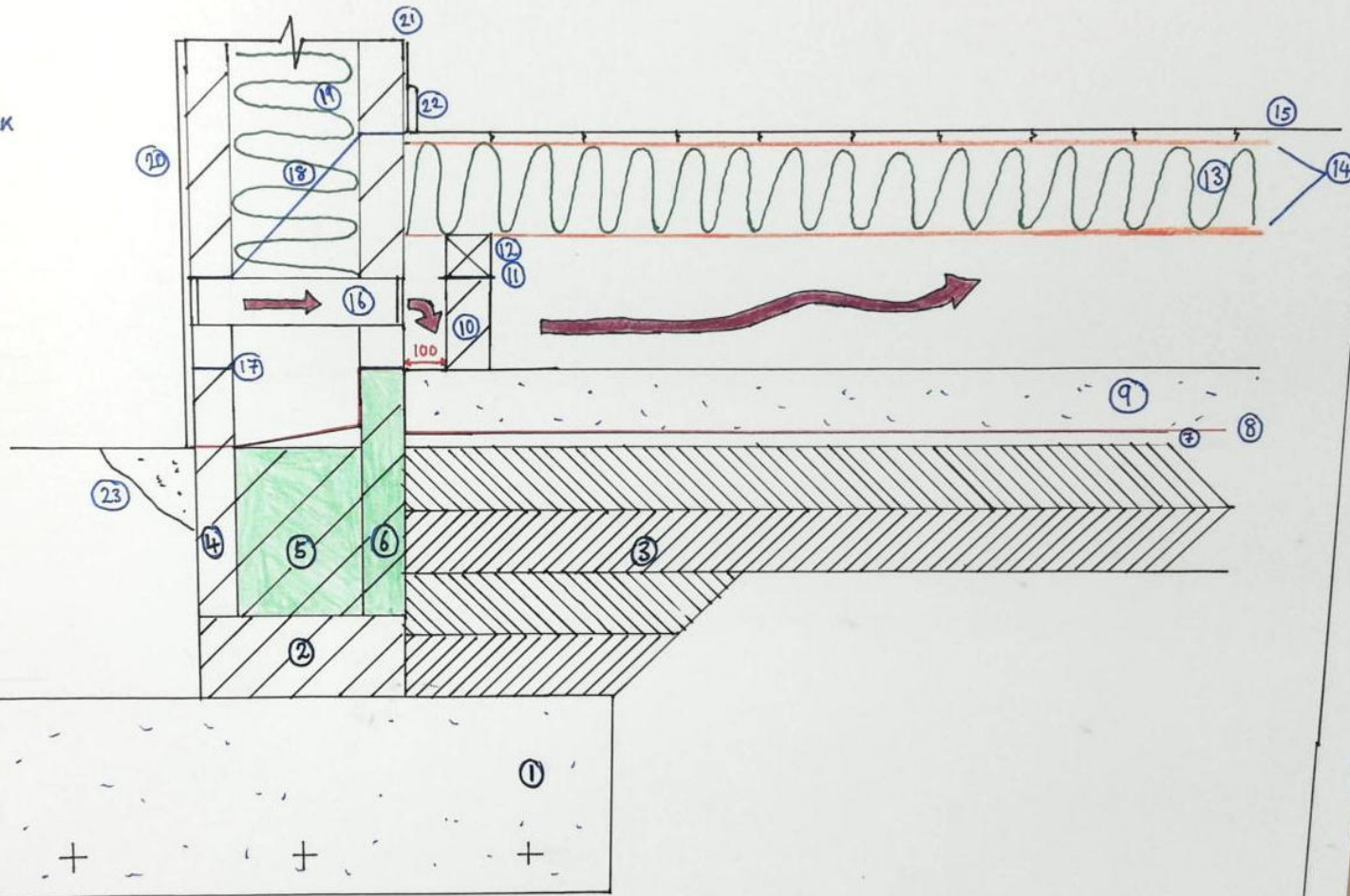
⑲ 300mm QUILTED INSULATION
RENDER

⑳ 19mm EXTERNAL ~~INSULATION~~

㉑ 12mm INTERNAL RENDER

㉒ 100 X 18 SKIRTING BOARD

㉓ TOP SOIL



TOMAS CALLANAN
PASSIVE SUSPENDED TIMBER FLOOR
DATE: