

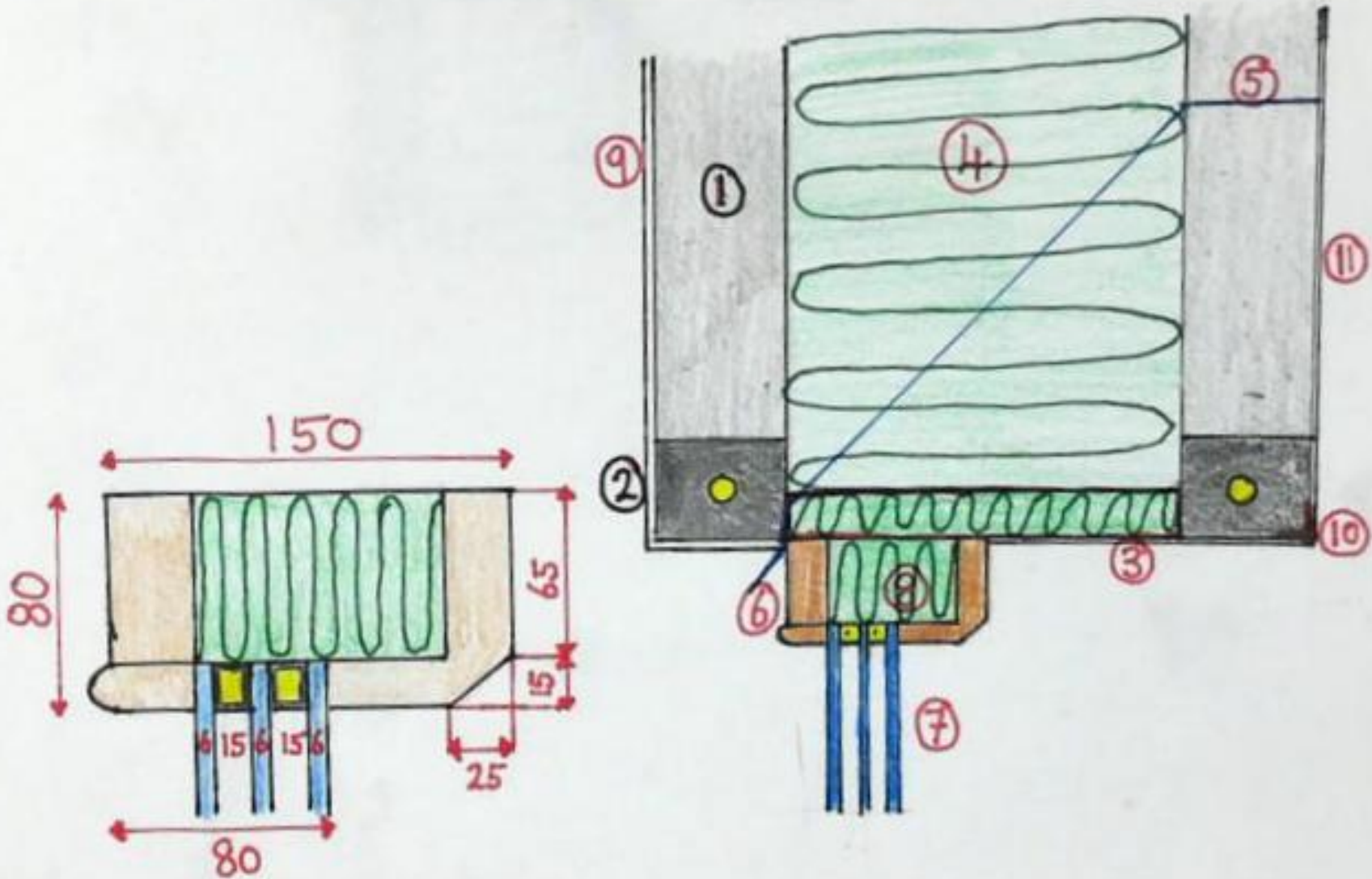
Construction Detail Drawing

1. Passive Concrete Cavity Wall
Opening with a Triple Glazed Window
Lintel

2. Passive Concrete Cavity Wall
Opening with a Triple Glazed Window
Cill

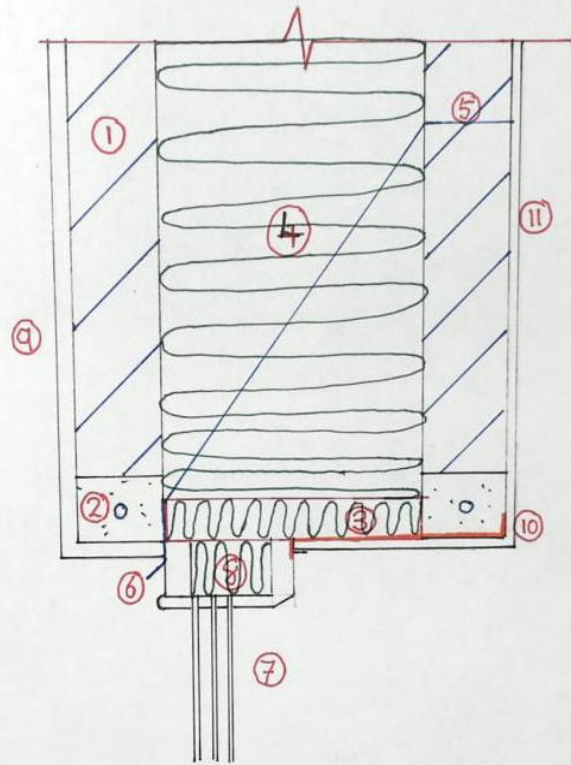
Key skills needed for Mandatory Exam Paper Question 1!!!

Key Information: Scale 1:5
Sketch of Passive Window Lintel



1. Passive Window Lintel: Scale 1:5

- ① 100 X 225 X 450 CONCRETE BLOCK
- ② 100 X 75 PRECAST CONCRETE LINTEL
- ③ PREFABRICATED CAVITY CLOSER
- ④ 300mm QUILTED INSULATION
- ⑤ STEPPED D.P.C
- ⑥ 150mm X 80mm WINDOW FRAME
- ⑦ TRIPLE GLAZING
- ⑧ THERMAL BREAK
- ⑨ 19mm EXTERNAL RENDER
- ⑩ AIRTIGHTNESS TAPE
- ⑪ 12mm INTERNAL RENDER



SCALE: 1:5

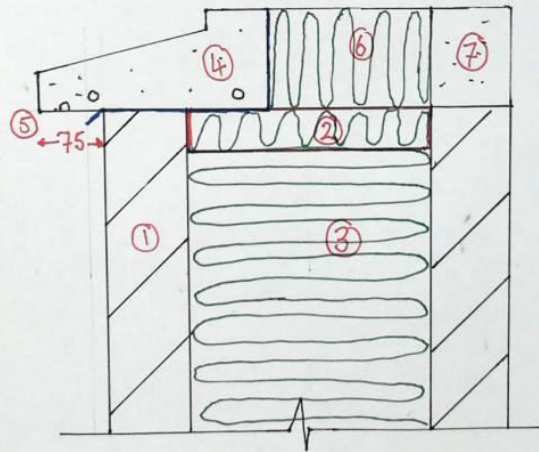
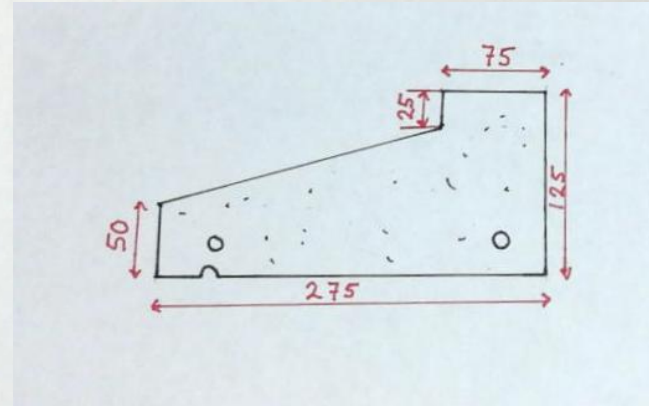
TOMAS CALLANAN

DATE:

PASSIVE WINDOW LINTEL

2. Passive Window Cill: Scale 1:5

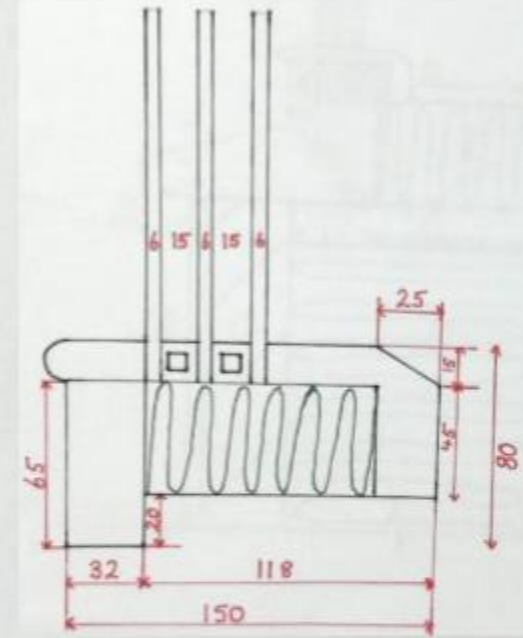
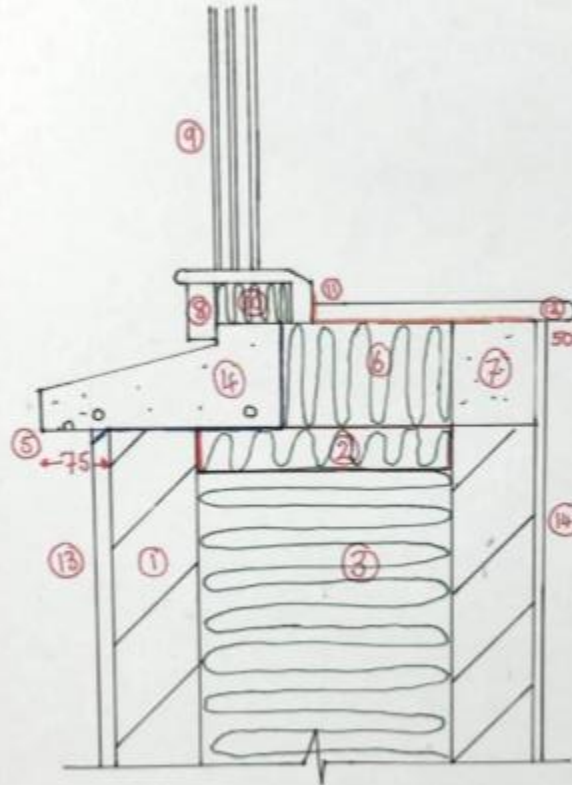
- ① 100 X 225 X 450 CONCRETE BLOCK
- ② PREFABRICATED CAVITY CLOSER
- ③ 300mm QUILTED INSULATION
- ④ PRECAST CONCRETE CILL
- ⑤ DPC TRAY
- ⑥ FOILED BACK RIGID INSULATION
- ⑦ CONCRETE INFILL



TOMAS CALLANAN
DATE:
WINDOW CILL 1:5

2. Passive Window Cill: Scale 1:5

- 1 100 X 225 X 450 CONCRETE BLOCK
- 2 PREFABRICATED CAVITY CLOSER
- 3 300mm QUILTED INSULATION
- 4 PRECAST CONCRETE CILL
- 5 DPC TRAY
- 6 FOILED BACK RIGID INSULATION
- 7 CONCRETE INFILL
- 8 150 X 80 WINDOW FRAME
- 9 TRIPLE GLAZING
- 10 THERMAL BREAK
- 11 AIRTIGHTNESS TAPE
- 12 300 X 25 WINDOW BOARD
- 13 19mm RENDER EXTERNAL
- 14 2mm RENDER INTERNAL



TOMAS CALLANAN
DATE:
WINDOW CILL 1:5