

# Construction Detail Drawing

Passive Concrete Cavity Wall with

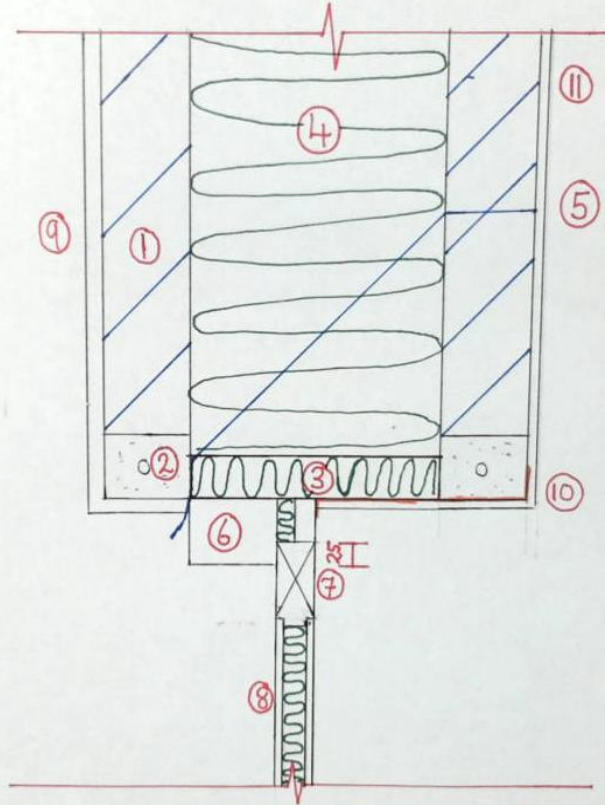
1. Door Lintel

2. Door Threshold with Highly Insulated Concrete Floor

Key skills needed for Mandatory Exam Paper Question 1!!!

# Door Lintel Drawing Scale 1:5

- ① 100X225 X450mm CONCRETE BLOCK
- ② 100 X 75mm PRECAST CONCRETE LINTEL
- ③ PREFABRICATED CAVITY CLOSER
- ④ 300mm QUILTED INSULATION
- ⑤ STEPPED D.P.C
- ⑥ 150mm X 80mm DOOR FRAME
- ⑦ 95mm X 45mm DOOR HEAD
- ⑧ 10mm CLADDING
- ⑨ 19mm EXTERNAL RENDER
- ⑩ AIRTIGHTNESS TAPE SEALING INNER LEAF AND FRAME
- ⑪ 12mm INTERNAL RENDER



SCALE: 1:5

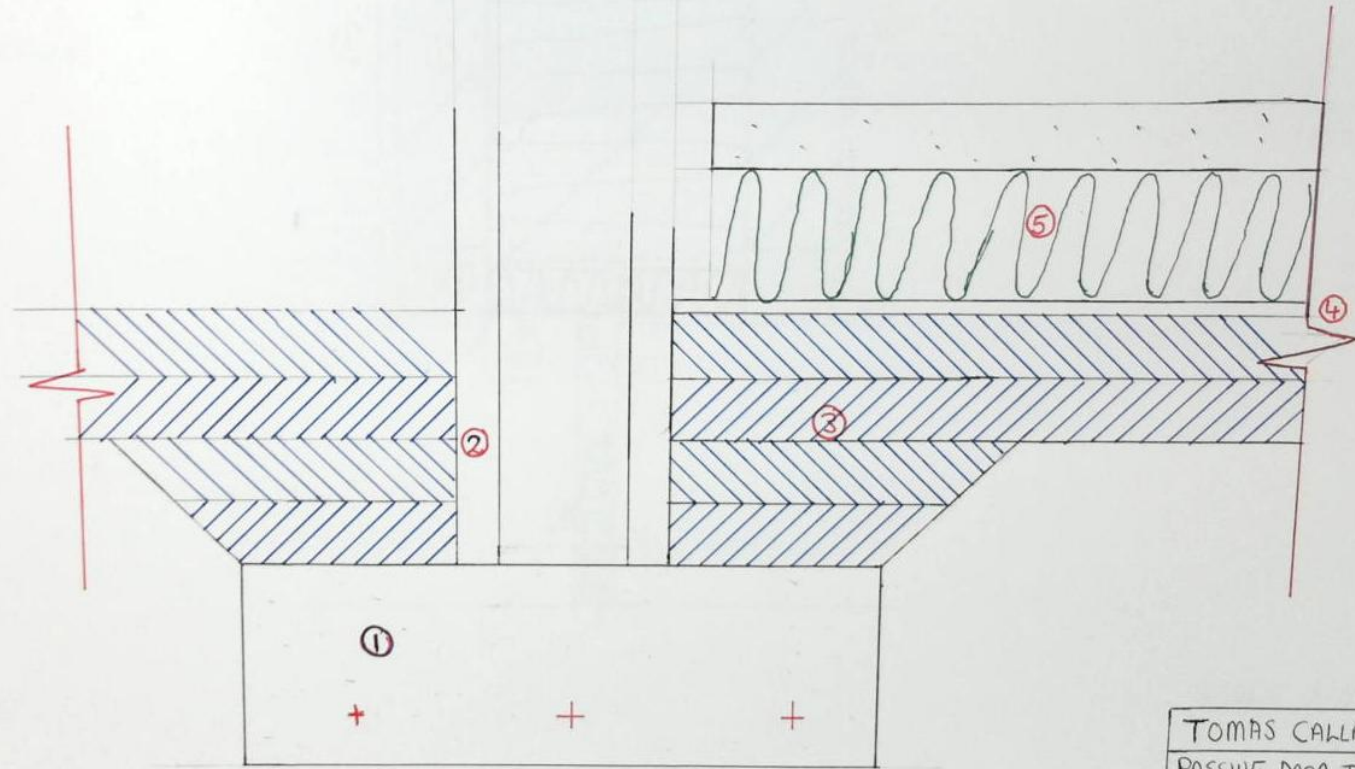
TOMAS CALLANAN

PASSIVE DOOR LINTEL

DATE:

# Door Threshold Drawing Scale 1:10

- ① 1500 X 500 REINFORCED CONCRETE FOUNDATION
- ② 100 X 125 X 450 CONCRETE BLOCK
- ③ HARDCORE IN LAYERS OF 150mm
- ④ 30mm SAND BLINDING
- ⑤ 300mm FOILED BACK RIGID INSULATION
- ⑥ 150mm CONCRETE SUBFLOOR

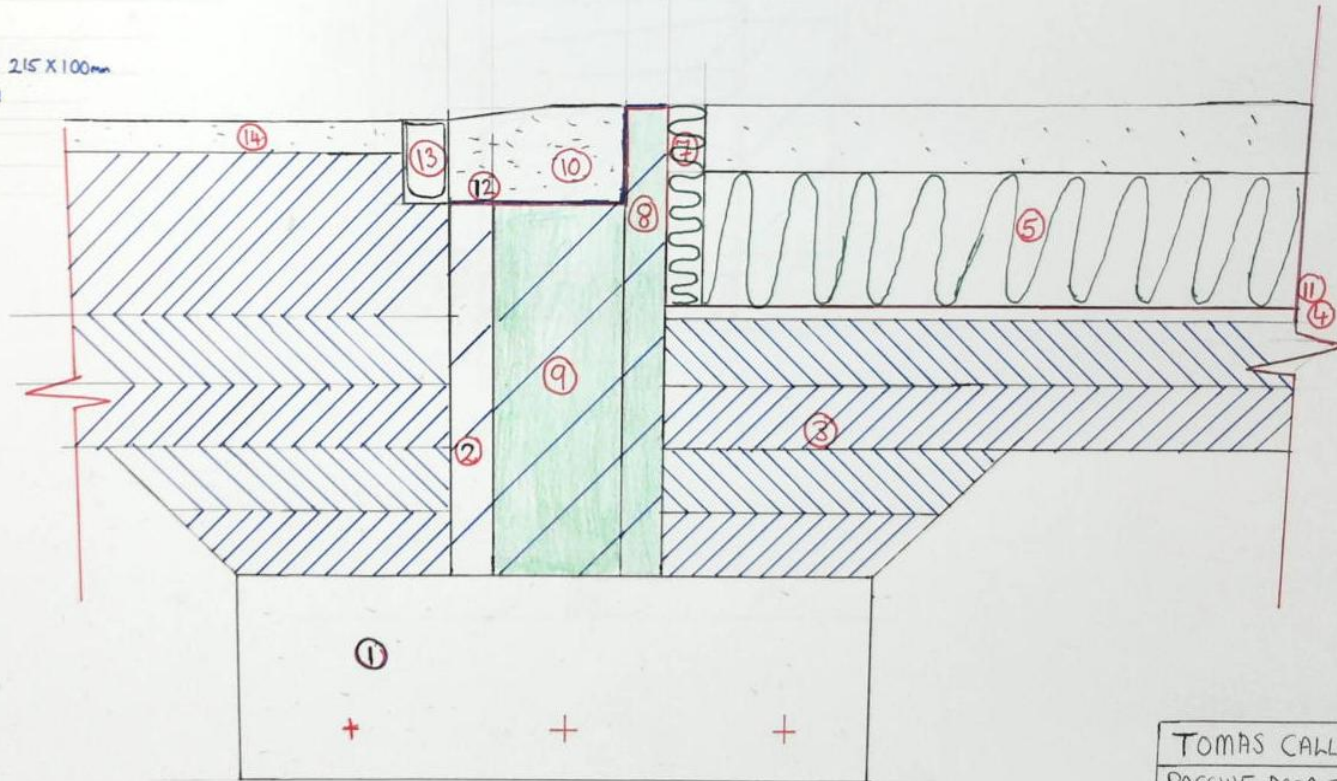


TOMAS CALLANAN
PASSIVE DOOR THRESHOLD
DATE: / /



# Door Lintel Drawing Scale 1:10

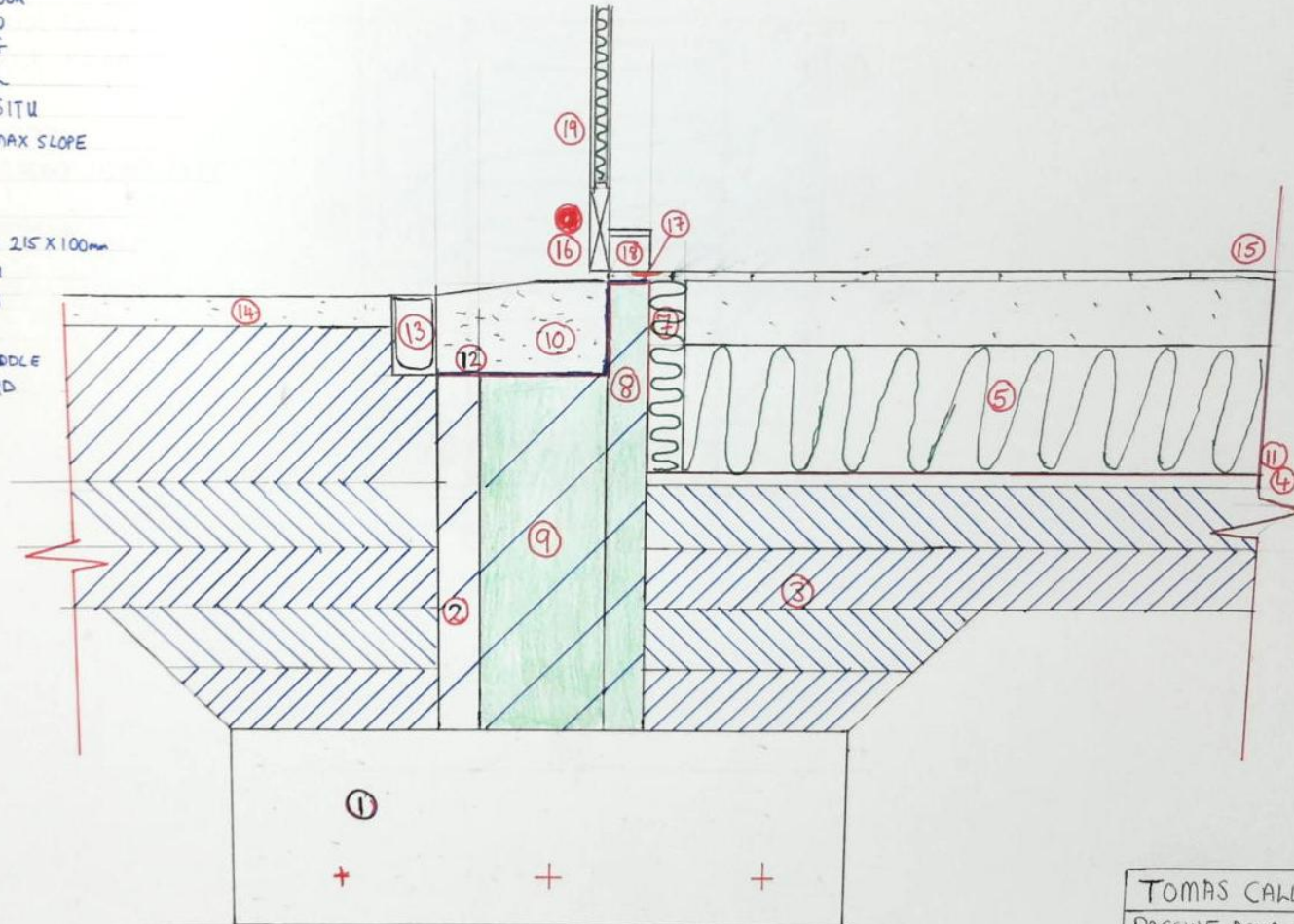
- ① 1500 X 500 REINFORCED CONCRETE FOUNDATION
- ② 100 X 225 X 450 CONCRETE BLOCK
- ③ HARDCORE IN LAYERS OF 150mm
- ④ 30mm SAND BLINDING
- ⑤ 300mm FOILED BACK RIGID INSULATION
- ⑥ 150mm CONCRETE SUBFLOOR
- ⑦ 80mm EDGE INSULATION
- ⑧ THERMAL BLOCK RISING
- ⑨ THERMAL BLOCK INFILL
- ⑩ 215 X 400mm CAST IN-SITU CONCRETE THRESHOLD 15° MAX SLOPE
- ⑪ RADON BARRIER
- ⑫ D.P.C
- ⑬ GALVANISED STEEL FULLY 215 X 100mm
- ⑭ 75mm CONCRETE FOOTPATH



TOMAS CALLANAN
PASSIVE DOOR THRESHOLD
DATE:

# Door Lintel Drawing Scale 1:10

- ① 1500 X 500 REINFORCED CONCRETE FOUNDATION
- ② 100 X 225 X 450 CONCRETE BLOCK
- ③ HARDCORE IN LAYERS OF 150mm
- ④ 30mm SAND BLINDING
- ⑤ 300mm FOILED BACK RIGID INSULATION
- ⑥ 150mm CONCRETE SUBFLOOR
- ⑦ 20mm EDGE INSULATION
- ⑧ THERMAL BLOCK RISING
- ⑨ THERMAL BLOCK INFILL
- ⑩ 215 X 400mm CAST IN-SITU CONCRETE THRESHOLD 15° MAX SLOPE
- ⑪ RADON BARRIER
- ⑫ D.P.C
- ⑬ GALVANISED STEEL GULLY 215 X 100mm
- ⑭ 75mm CONCRETE FOOTPATH
- ⑮ 25mm T & G FLOORBOARDS
- ⑯ 195 X 45 BOTTOM RAIL
- ⑰ 150mm X 25mm DOOR SADDLE
- ⑱ 100 X 18 SKIRTING BOARD
- ⑲ 10mm CLADDING



TOMAS CALLANAN
PASSIVE DOOR THRESHOLD
DATE: