



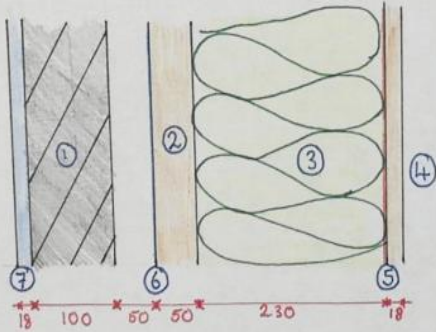
# Construction Detail Drawing

## Passive Timber Frame Wall with a Full Triple Glazed Window Detail

Key skills needed for Mandatory Exam Paper Question 1!!!

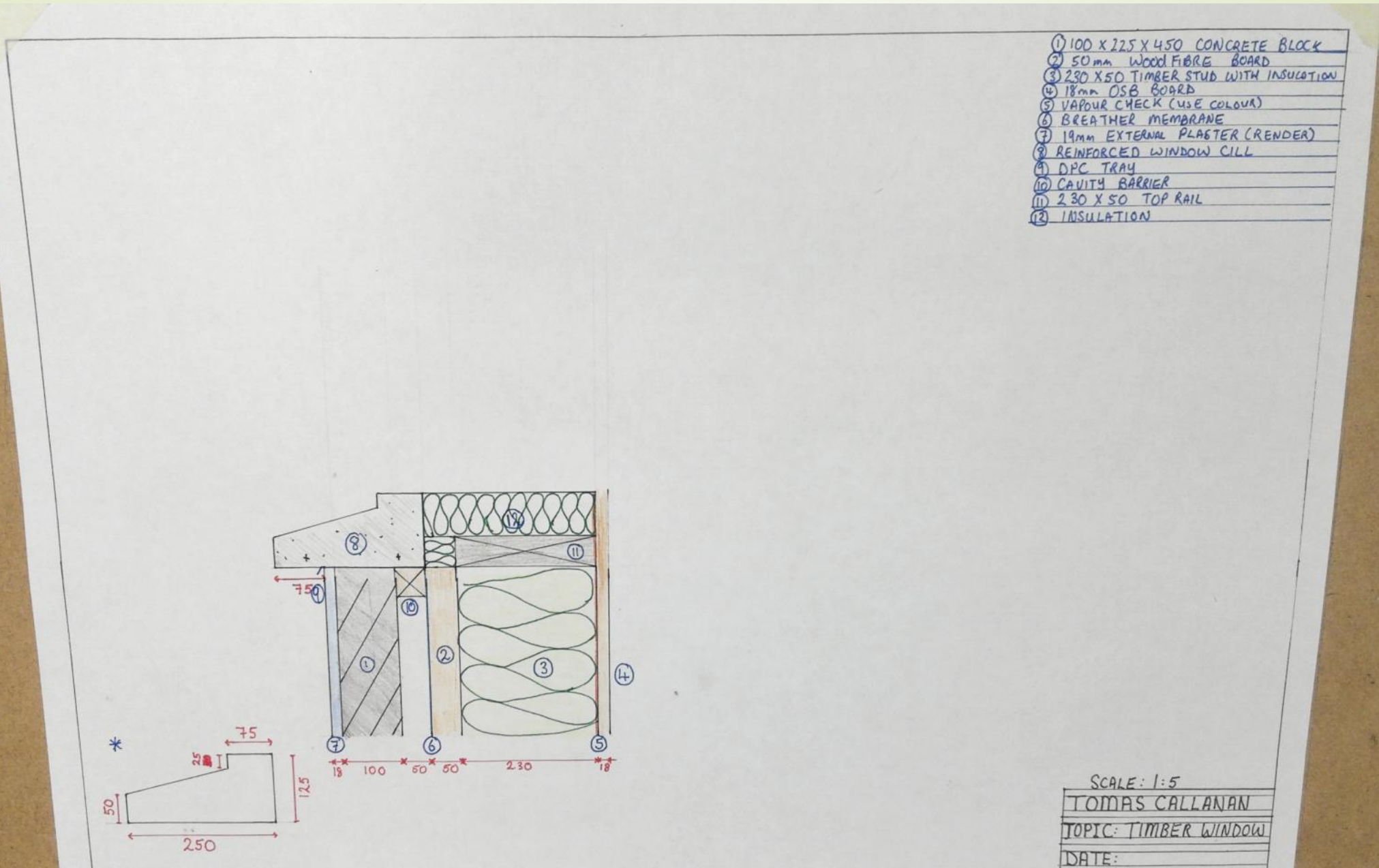
# Passive Timber Frame Window Detail Scale 1:5

- ① 100 X 225 X 450 CONCRETE BLOCK
- ② 50mm WOOD FIBRE BOARD
- ③ 230 X 50 TIMBER STUD WITH INSULATION
- ④ 18mm OSB BOARD
- ⑤ VAPOUR CHECK (USE COLOUR)
- ⑥ BREATHER MEMBRANE
- ⑦ 19mm EXTERNAL PLASTER (RENDER)

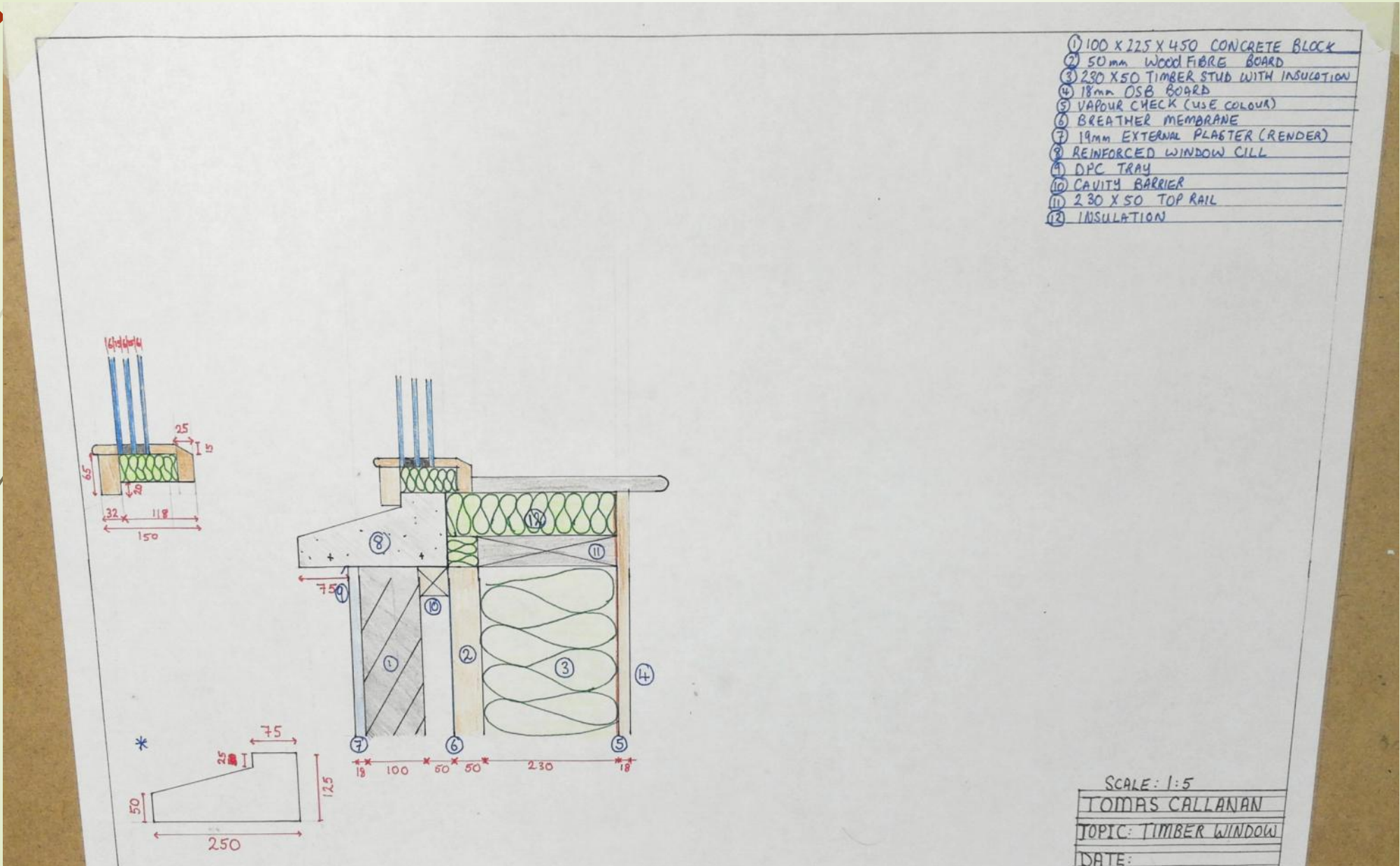


SCALE: 1:5  
TOMAS CALLANAN  
TOPIC: TIMBER WINDOW

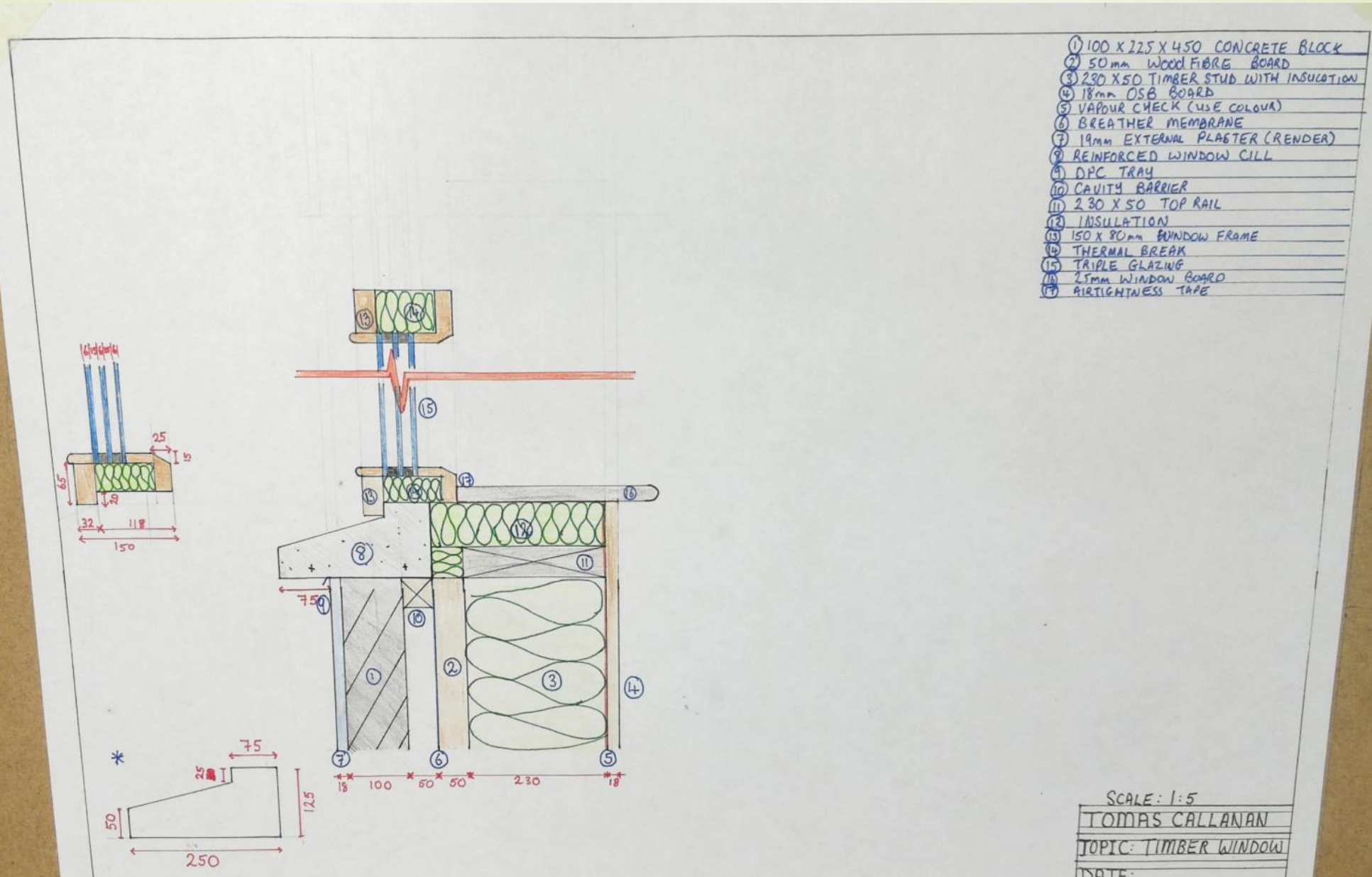
# Passive Timber Frame Window Detail Scale 1:5



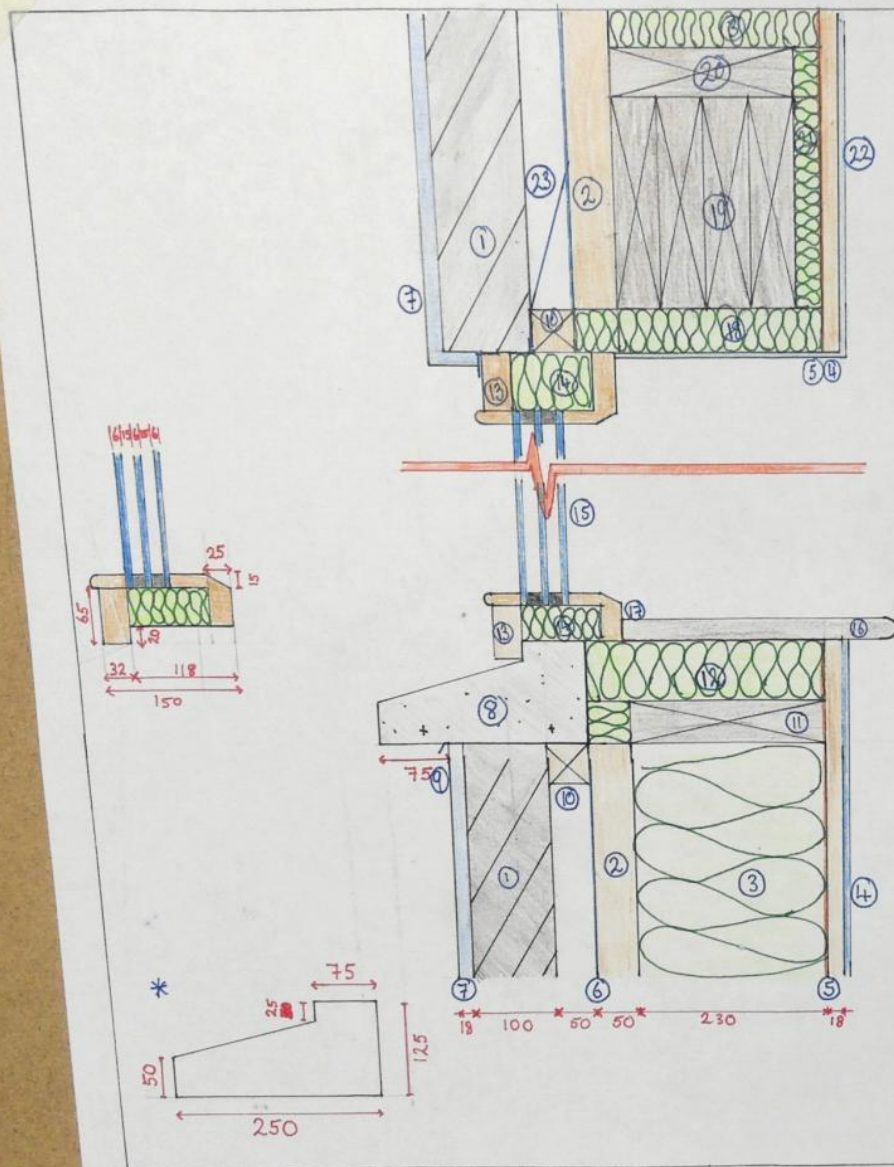
# Passive Timber Frame Window Detail Scale 1:5



# Passive Timber Frame Window Detail Scale 1:5



# Passive Timber Frame Window Detail Scale 1:5



- ① 100 X 225 X 450 CONCRETE BLOCK
- ② 50mm WOOD FIBRE BOARD
- ③ 230 X 50 TIMBER STUD WITH INSULATION
- ④ 18mm OSB BOARD
- ⑤ VAPOUR CHECK (USE COLOUR)
- ⑥ BREATHER MEMBRANE
- ⑦ 19mm EXTERNAL PLASTER (RENDER)
- ⑧ REINFORCED WINDOW CILL
- ⑨ DPC TRAY
- ⑩ CAVITY BARRIER
- ⑪ 230 X 50 TOP RAIL
- ⑫ INSULATION
- ⑬ 150 X 80mm WINDOW FRAME
- ⑭ THERMAL BREAK
- ⑮ TRIPLE GLAZING
- ⑯ 25mm WINDOW BOARD
- ⑰ AIRTIGHTNESS TAPE
- ⑱ 50mm CAVITY CLOSER
- ⑲ TIMBER LINTEL 230 X 50 (4)
- ⑳ TOP RAIL 230 X 50
- ㉑ 30mm EDGE INSULATION
- ㉒ 12mm INTERNAL RENDER
- ㉓ STEPPED DPC

SCALE: 1:5  
 TOMAS CALLANAN  
 TOPIC: TIMBER WINDOW  
 DATE: