

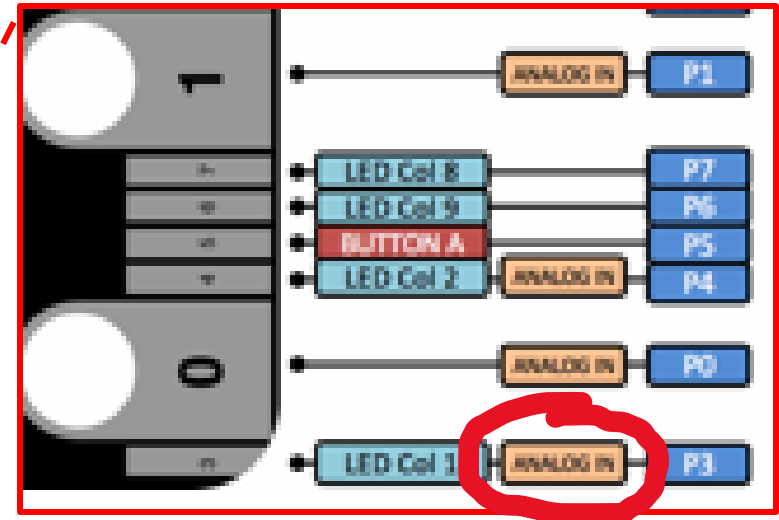
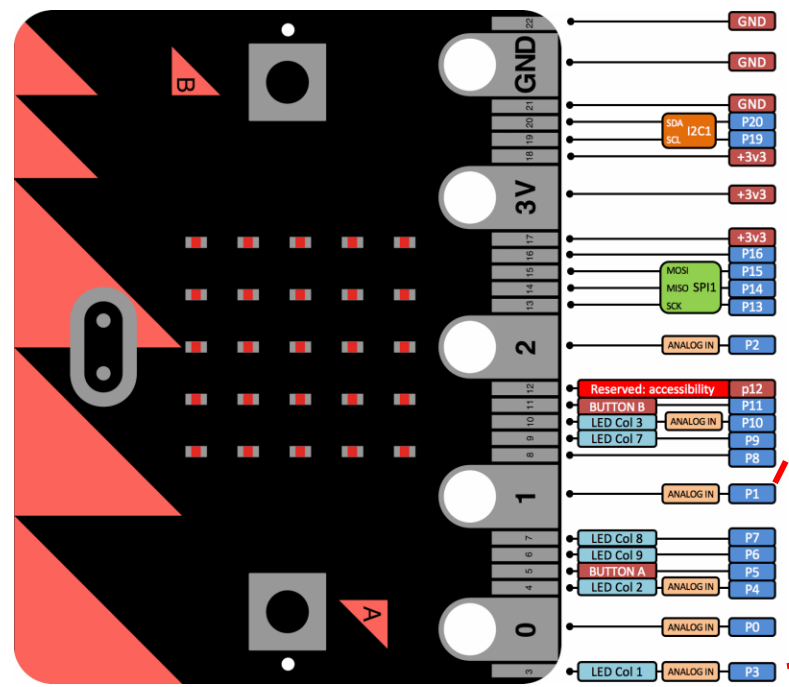
Session 2 Part 2

Breakout Boards

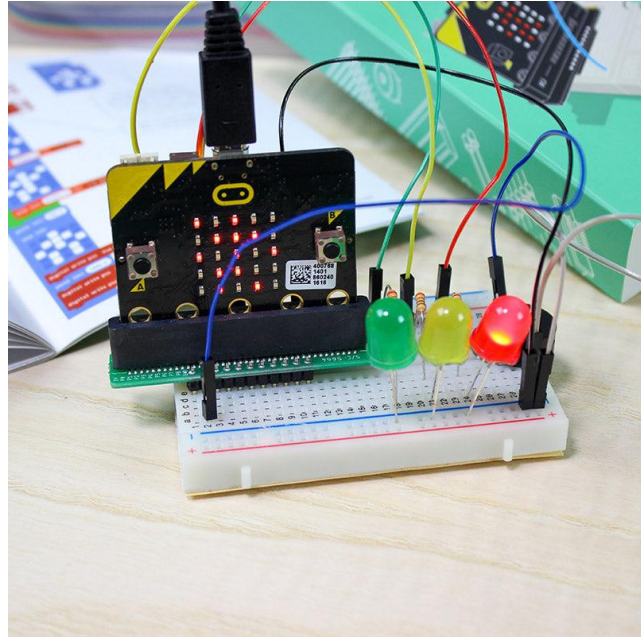
Aim

- To familiarise yourself with Breakout Board and Breadboard
- To use online prototyping tool- e.g. Tinkercad
- To review wiring an LED

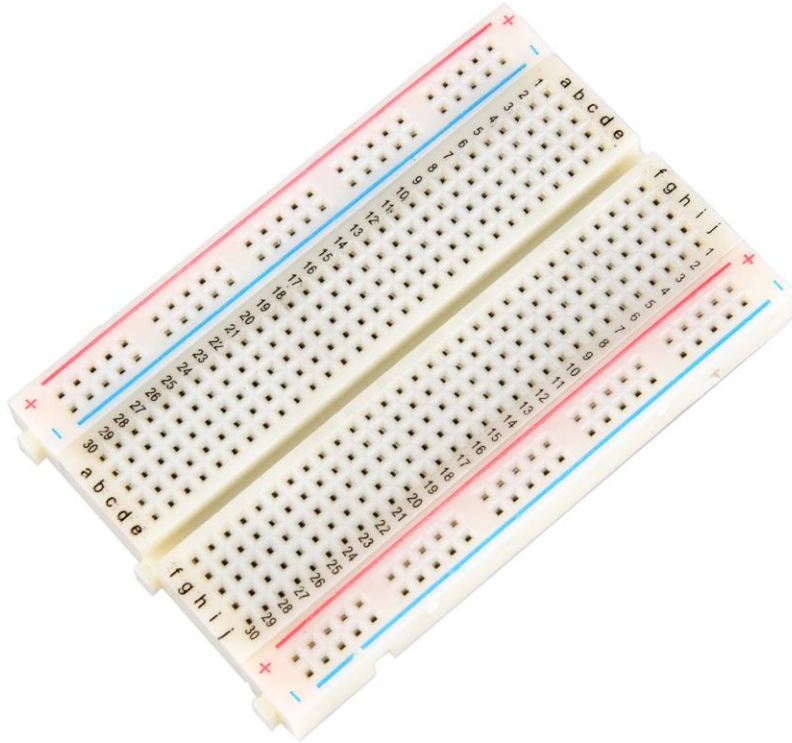
25 PINS on the micro:Bit



Breakout Boards and Breadboards



Breadboard



- The vertical columns are called **terminals**, while the horizontal long rows are called **power rails**
- The positive rails are indicated by red lines, while the negative rails are indicated by black ones
- The terminals are used to build the circuits and are all connected.

Turn on and LED with the Microbit using an online tool like TinkerCad for circuits



AUTODESK®
TINKERCAD®

Circuits

Create new Circuit

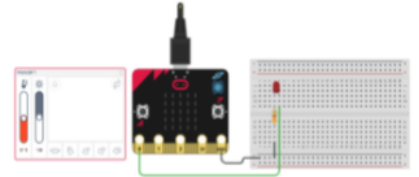


LED with Battery

17 minutes ago
Private



Tinker this

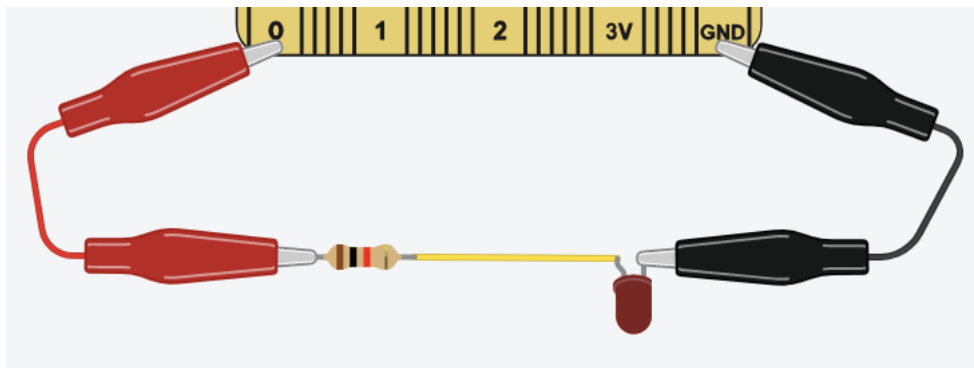


Microbit Flashing Light

24 minutes ago
Private



LED Without Breadboard



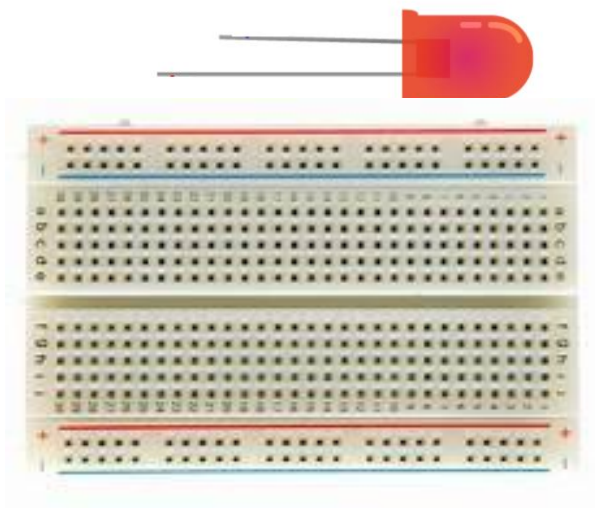
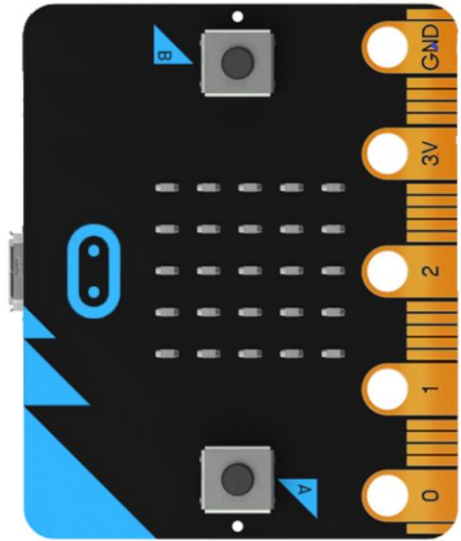
on button **A** ▼ pressed

digital write pin **P0** ▼ to **1**

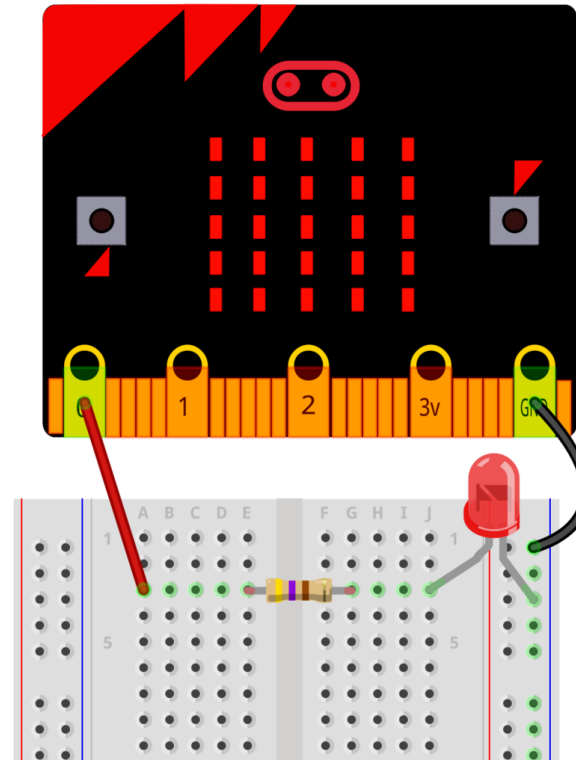
on button **B** ▼ pressed

digital write pin **P0** ▼ to **0**

LED Demo



Wiring the LED using Breadboard



Reflection

